



# Impact Flowmeter Instrument MW94A

## Technical Information ALL

### ModWeigh

#### FEATURES

- Flowrate measurement for impact weighers
- Flowrate Output
- Material Totaliser
- Modbus communications (independent RS232 and RS485 ports)
- USB Host & Device (memory stick & PC)
- Field software upgrades
- 12-24Vdc power supply
- Overall accuracy better than 0.01%

#### MD2,MP2 INDICATOR

- IP54 Facia
- 2.8" (70mm) colour LCD
- 320 x 240 pixels
- Polyester film tactile keypad
- 4-20mA output, 1 digital input & 2 digital outputs

#### MO3 I/O for MP2

- 4 Digital inputs
- 4 Digital outputs
- 4-20mA input (or 0-10V)
- 4-20mA output

#### MD1,MP1 INDICATOR

- IP65 Facia
- 4.3" (109mm) colour LCD
- 480 x 272 pixels
- Silicone tactile keypad

#### MT1 TRANSMITTER

- Size 136 x 66 x 50mm
- Optional removable P-Module holds calibration settings



#### MT3 TRANSMITTER

- Size 136 x 66 x 50mm

#### MR1 I/O

- Size 136 x 66 x 30mm
- 8 Digital inputs
- 8 Digital outputs
- 4-20mA input (or 0-10V)
- 4-20mA output x 2
- Pulse output

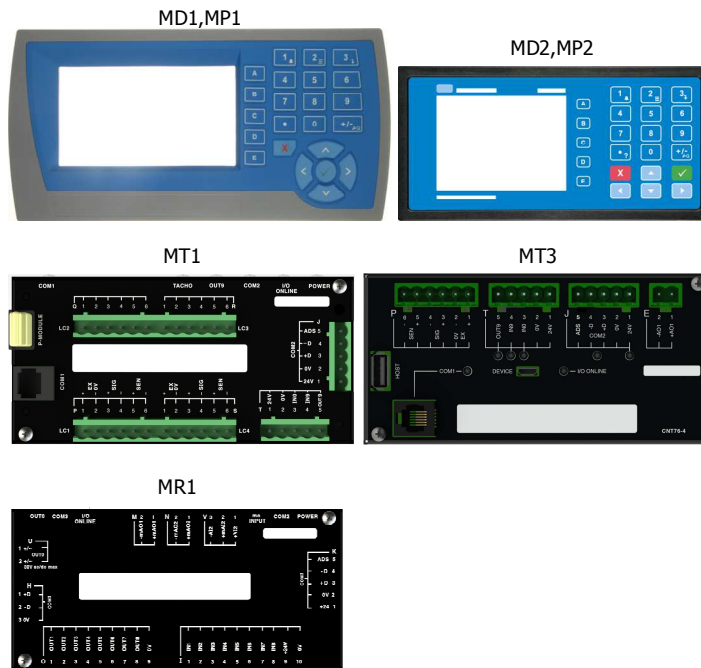
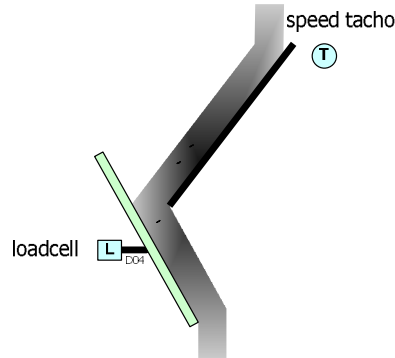
#### Application

A ModWeigh MW94 Impact Weigher System is used to measure the flowrate of a free flowing solids material.

It measures the impact force of material striking a plate and converts this to a flowrate. This is integrated to give a total weight of material.

#### ModWeigh Display

A ModWeigh Flowrate Indicator is used to calibrate the system and provide a status display of the operating system. It has a graphics display with easy to use menu selection of settings.



# Features

## Basic

### Units & Resolution

The units for each variable type (weight etc.) can be selected from a list of metric and imperial units. The resolution of each variable type can be adjusted, this alters the count by e.g 100kg displayed in 0.2kg increments.

### OIML Design

The instrument is designed to OIML standards.

### Language Support

Support is available for the following languages: English, Chinese, Korean, German, Spanish, French, Italian and Polish.

## Inputs

### Digital Inputs INx

The digital inputs are programmable to a range of function including 'acquire zero', 'print' etc.

### Corner Adjustment (MT1 only)

The input sensitivity can be individually adjusted for up to 4 loadcells, allowing differences in loadcell sensitivities to be corrected.

### Four Loadcell Inputs (MT1 only)

Separate inputs are available for 4 loadcells allowing the signal of each to be monitored separately. This provides an aid for load balancing across loadcells and also for fault finding.

### Zeroing

Auto zeroing automatically sets the zero point when there is no material flow and reduces errors that would be caused by an incorrect zero.

### Signal Filtering

Filtering for the weight can be adjusted to get the optimum compromise between reduction of plant vibration and response speed.

## Internal Signals

### Limits

The high and low limits have adjustable setpoints which may be programmed to operate on any internal signal.

### Batching

The system can be used to batch out a desired weight by stopping the feeder when the batch weight has been totalised. A pre-act is available to compensate for overrun.

### Event Collection

Process events are collected for operation with external equipment (PLCs etc.)

### Memory Storage

Allows a group of settings to be stored or recalled from memory. This can be used for example to store settings for different products. There are 20 memory locations with up to 4 settings in each.

### Material Total

The processor incorporates a totaliser which totalises the weight of material through the system. The totaliser can be reset to zero. A pulse output is available to operate external counters. A low flow cutout ensures that low flows do not cause false counts. The total is retained after a power failure.

The totaliser can be set to operate with 5, 6, 7 or 8 digits.

## Outputs

### Material Flowrate

An analog flowrate output signal is available for connection to other instruments.

### Analog I/O Scaling

The analog output range can be adjusted over the full 0 to 20mA range. The output will drive to a slight negative mA, allowing a live zero to be achieved when using a 0 to 20mA range. A voltage output is easily produced by connecting a resistor to the output.

In addition the analog output signal is selectable to come from any internal signal in the instrument e.g weight, flowrate etc.

### Digital Outputs OUTx

The digital outputs are programmable to operate from any internal signal. These signals include the digital input states, status conditions (running, paused etc) and any fault conditions that are detected. This makes it easy to connect into other systems.

## Communications & Display

### Comms

RS232 and RS485 ports are available. These are used to connect ModWeigh units together and also to connect to other systems. The protocol is either ASCII output for example to drive a printer or Modbus for interactive communications. Baud rates and node addresses are programmable.

USB host and device ports are available. This allows for example PC and USB flash drive connectivity. It can be used to update the units software, for data logging and for recording of the units settings.

### Printouts & Macros

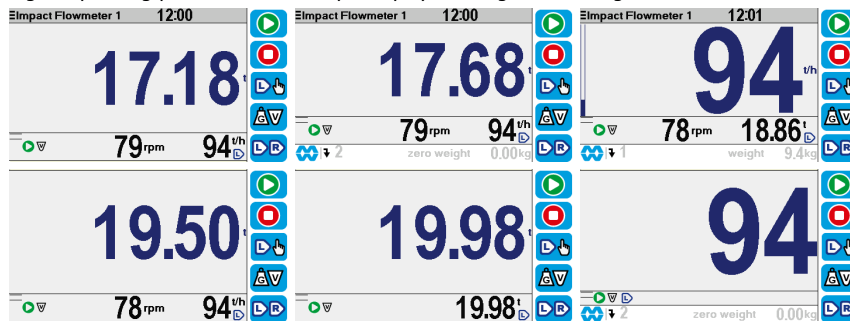
Printouts can be triggered by a key press or set up to occur at set times during the day or week. Data may also be output continuously for data collection purposes. Data is output on the COM1 RS232 port. The content of the printouts is fully programmable using Macros.

Macros are programs used to customise printouts, but can also be used to perform arithmetic calculations. The Macro language also contains conditional terms for more advanced programming.

### Display Customisation

Locks may be set to prevent unauthorised use of the operator keys and restrict entry to the operator menu. The keys are individually lockable and optionally a passcode can be used to allow authorised operators to use the keys. Alternatively a confirmation of the key action can be requested. The operator MENU can be customised to make additional settings or signals available to the operator.

The contents of the main display can be set to suit any condition, from a comprehensive display showing all operating parameters to a simple display showing the basic signals.



### Computer Connectivity

ModWeigh instruments can be connected to a computer with an RS232 connection. Data can be sent to the PC at a preset rate. The data sent can be set up using macros.

There is also a command line interface which allows any of the settings and data to be read or written.

## IO Summary

	Digital Inputs (includes pulse input)	NAMUR pulse input option	Digital Outputs (includes pulse output)	Isolated Pulse Output	Isolated 4-20mA Inputs	Isolated 4-20mA Outputs	RS232	RS485	USB Host (Memory Stick)	USB Device (PC Cable)	Corner adjustment and balancing for 4 loadcells	Trade approvals (MW95, MW96)
MP2	1	*	2	1	0	1	1	1	1	*	*	
MP2,MO3	1+4	*	2+4	1	1	1+1	1	1	1	*	*	
MP1,MR1	1+8	*	9	1	1	2	2	1	1	*	*	
MD1,MT1,MR1	2+8	✓	1+9	1	1	2	2	2	1	1	✓	✓
MD2,MT1,MR1	2+8	✓	1+9	1	1	2	2	2	1	1	✓	✓
MD1,MT3	2	*	1	0	0	1	2	1	1	1	*	*
MD2,MT3	2	*	1	0	0	1	2	1	1	1	*	*
MD1,MT3,MR1	2+8	*	8	1	1	3	2	1	1	1	*	*
MD2,MT3,MR1	2+8	*	8	1	1	3	2	1	1	1	*	*

# Specifications

## Loadcell Input AI1

Input Range	±4 mV/V (0-20mV)
Excitation	5 Vdc ±20 %, 250 mA maximum current
Signal processing rate	100 Hz (response time setting ≤ 0.5 s)
Input sensitivity	0.5 µV/division maximum
Zero range	±3 mV/V (±15 mV)
Zero drift	±0.02 µV+0.0005 % of deadload/°C typical
Span drift	±0.0005 %/°C typical
Non-linearity	<0.002 % of FS
Input noise	0.15 µVp-p typical
Filtering	0.04 s to 32.0 s response time adjustable
Sense voltage range	1-5 V

## Analog Input AI2

4-20mA input resistance	<60 Ω
0-10V input resistance	>100 kΩ
Isolation	galvanically isolated to 50Vac

## Analog Outputs AO1 & AO2

Output range	0 to 20 mA (-0.2 mA to 21 mA, includes standard 4-20mA)
Maximum load	1000Ω
Resolution	0.4 µA
Response time	Loadcell response time setting + 20 ms
Voltage output	Use an external resistor to convert mA to volts. For example 500Ω gives 10 V at 20 mA.
Non-linearity	<0.01 %
Drift	<2 µA/°C.
Isolation	independently galvanically isolated to 50Vac

## Pulse Input IN0 - frequency input

Maximum range	0.01Hz to 4 kHz
Typical operating range	10 to 1000 Hz
Minimum pulse width	50us
<b>IN0 set to PNP</b>	
High voltage	> 8 V
Low voltage	< 4 V
Maximum voltage	32 V
Input load	4 kΩ approximate
<b>IN0 set to NAMUR</b>	
Terminal voltage	8 V
Switching threshold	1.55 mA
Hysteresis	0.2 mA
Namur fault	<0.1 mA or >6 mA
<b>IN0 set to AC</b>	
Voltage range	0.2 to 50 Vac

## Digital Inputs INx (except IN0)

High voltage	> 8 V
Low voltage	< 4 V
Maximum voltage	32 V
Input load	6 kΩ approximate
Input type	PNP output sensors

## Pulse Output OUT0

Max output current	50 mA
Max working voltage	30V ac/dc
Max frequency	500 Hz
Duty cycle	50 % ±20 % (f > 0.5 Hz)
Max output pulse time	1000 ms (f < 0.5 Hz)
Isolation	galvanically isolated to 50 Vac

**Digital Outputs OUTx (except OUT0)**

Max output current	$\Sigma I_{IOx} < 0.25 \text{ A}$
Output voltage	same as supply voltage

**Communications COM1, COM2 & COM3**

COM1 Interface	RS232
COM1 Handshake	CTS can be enabled
COM2/COM3 Interface	RS485
Baud rates	9600, 19200, 38400, 57600, 115200 (230400 on COM2)
Settings	8 data bits, no parity, 2 stop bits (8-N-2)
Protocol	Modbus RTU (MWBUS on COM2)

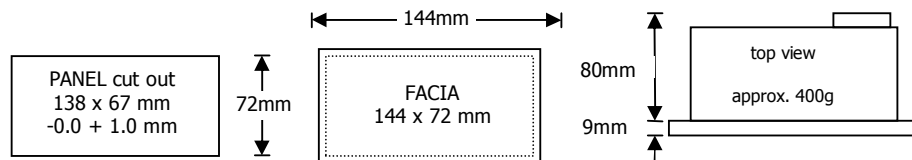
**General**

IP Rating	IP20 (MD1,MP1 facia IP65) (MD2,MP2 facia IP54)
Operating temperature	-10 to 45 °C
Supply voltage	10 to 28 Vdc
Power MT1	1.0 to 2.2 W + P <sub>Tacho Excitation</sub>
Power MT3	1.0 to 2.2 W + P <sub>Tacho Excitation</sub>
Power MR1	1.5 to 2.5 W + P <sub>OUTx</sub>
Power MD1	1.8 W
Power MP1	1.8 to 3.0 W
Power MD2	1.4 W
Power MP2	1.4 to 3.1 W
Power MP2 + MO3	3.4 to 5.0 W + P <sub>OUTx</sub> + P <sub>Tacho Excitation</sub>
MP2 Restrictions	P <sub>Loadcell Excitation</sub> + P <sub>A01</sub> + P <sub>A02</sub> < 1.5 W
	I <sub>Supply</sub> < 0.5 A

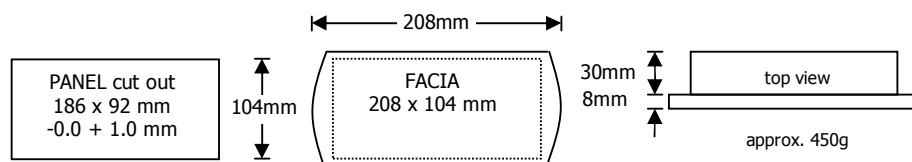
**Dimensions**

Following are the dimensions of the hardware items that make up the system.  
The displays/processors are designed for panel mounting.

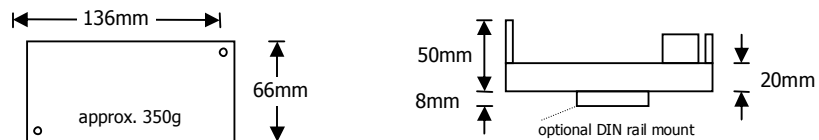
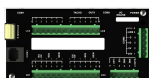
**MD2 Display  
MP2 Processor**



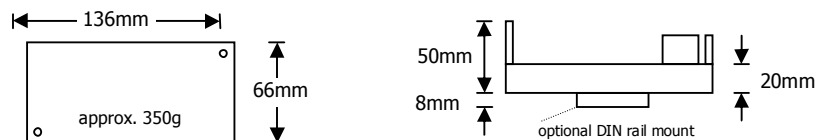
**MD1 Display  
MP1 Processor**

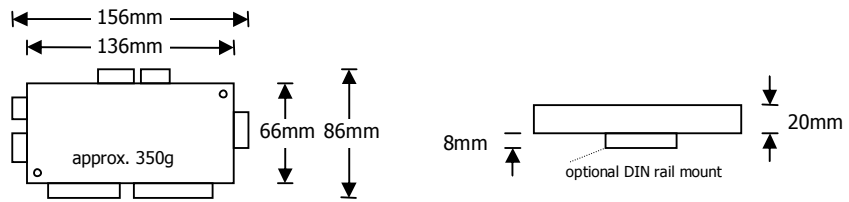
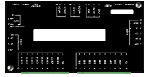


**MT1 Transmitter**



**MT3 Transmitter**



**MR1 Remote IO**

# Connections

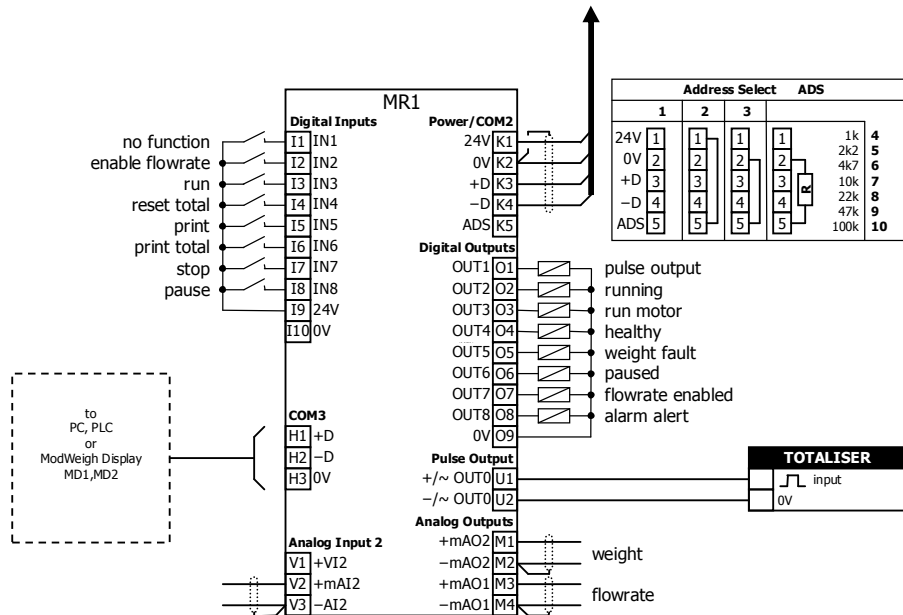
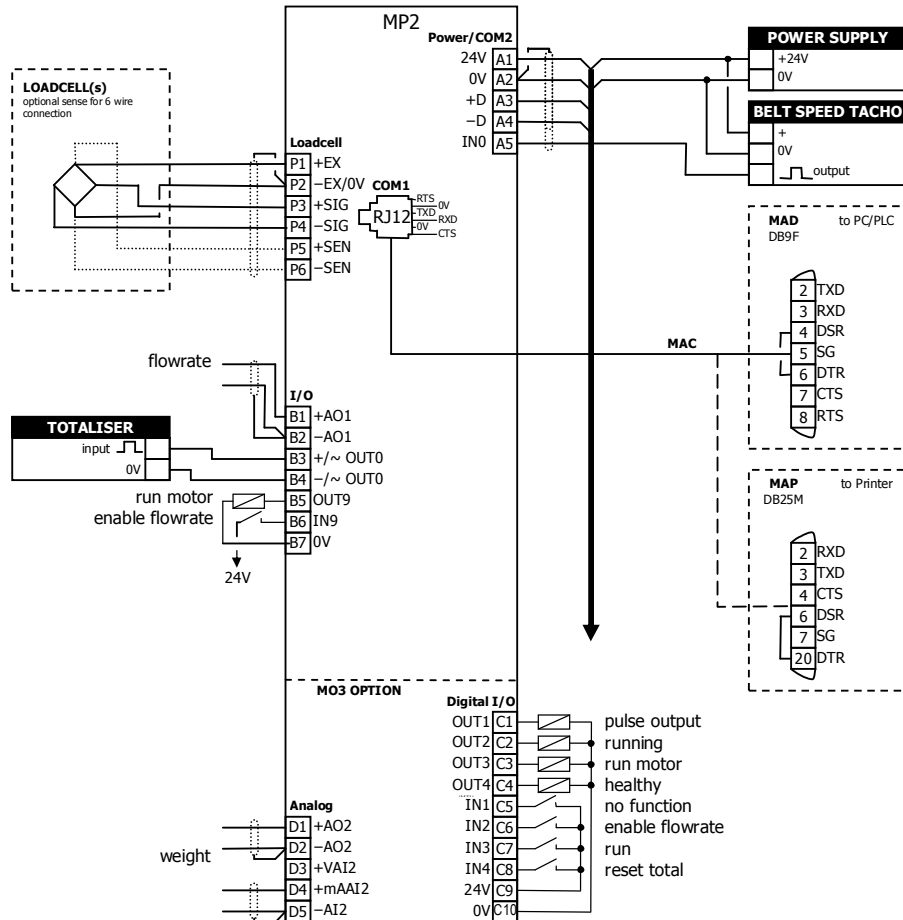
**Connection Principles**

ModWeigh instruments can be configured in many different ways to suit any given application. The display is normally located to suit an operator. The transmitter can be located in the field to reduce field wiring or can be located with the display for a more conventional approach. The I/O can conveniently be situated on a DIN rail in a cabinet.

Connection Diagram – MP2

Keep all wiring separated from mains wiring

Use shielded cable where indicated



Connection Diagram – MP1

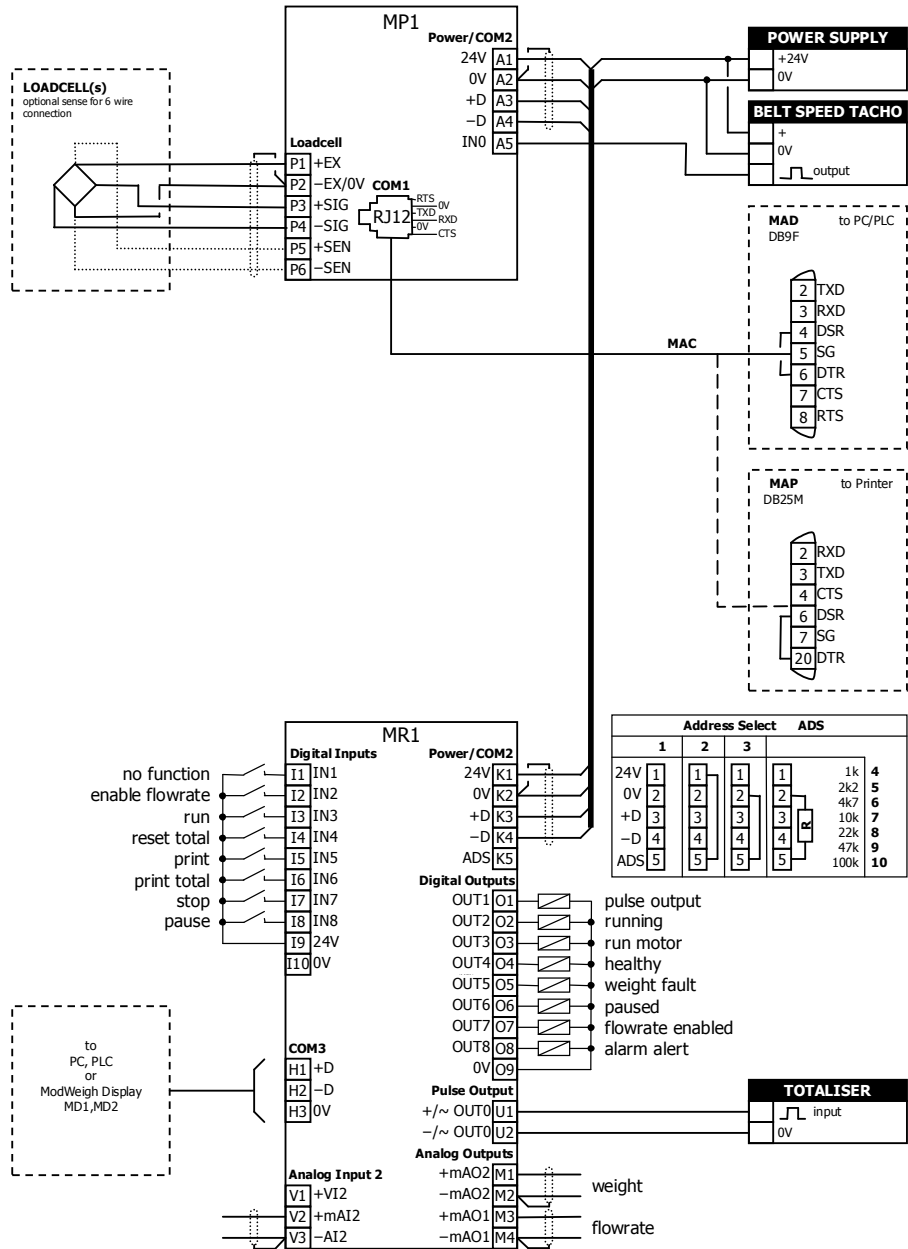
Keep all wiring separated from mains wiring

Use shielded cable where indicated

MP1 bus address set with setting (Q2522).

MR1 bus address set with ADS pin and must be same as MP1.

Fit an MAT terminator to each end of COM2 cable if length exceeds 50m.





Connection Diagram – MT1

Keep all wiring separated from mains wiring.

Use shielded cable where indicated.

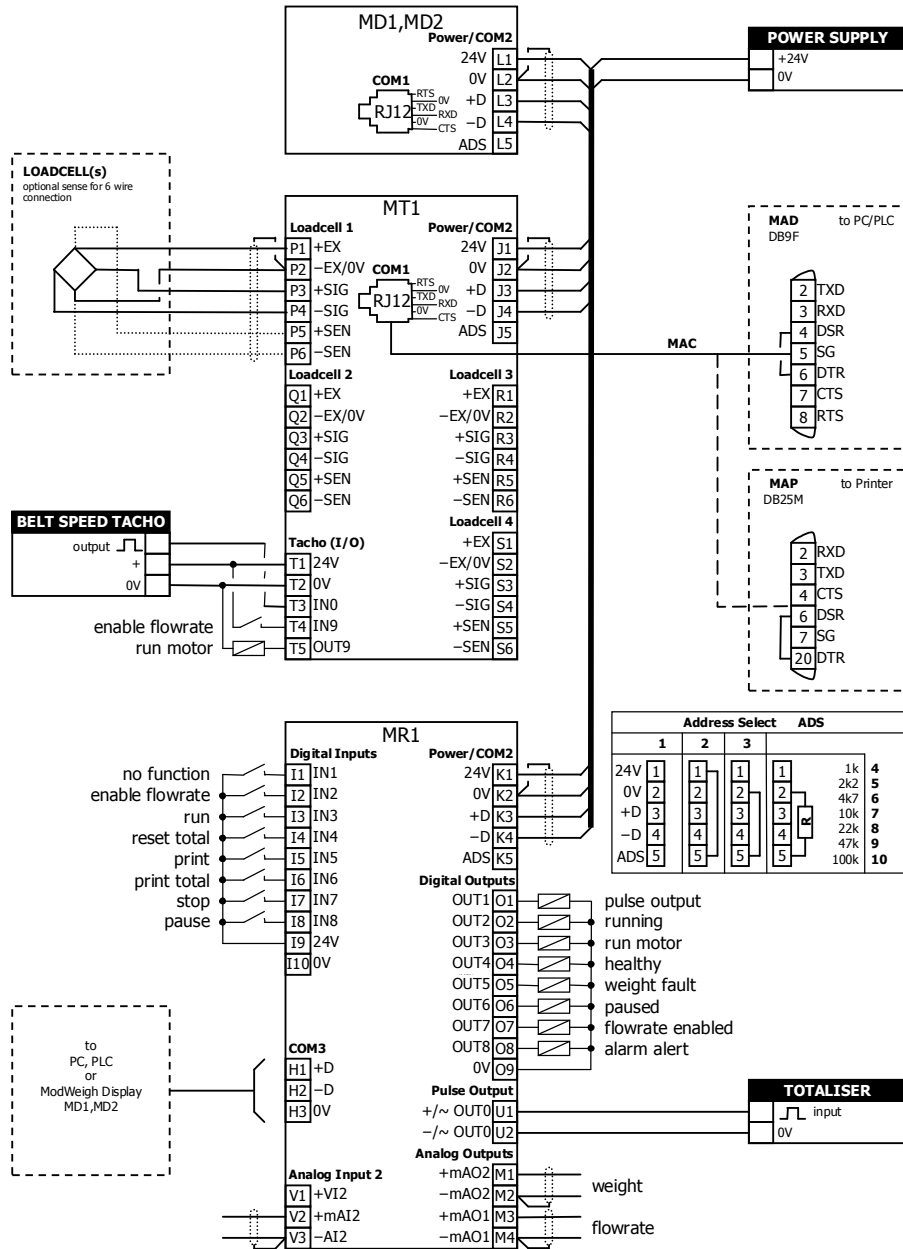
For individual loadcell sensitivity adjustment, use terminals P, Q, R and S.

Display and transmitter can alternatively be connected COM1 to COM1 using an MAC cable.

MT1 bus address set with ADS pin or a setting.

MR1 bus address set with ADS pin and must be same as MT1.

Fit an MAT terminator to each end of COM2 cable if length exceeds 50m.



Connection Diagram – MT3

Keep all wiring separated from mains wiring.

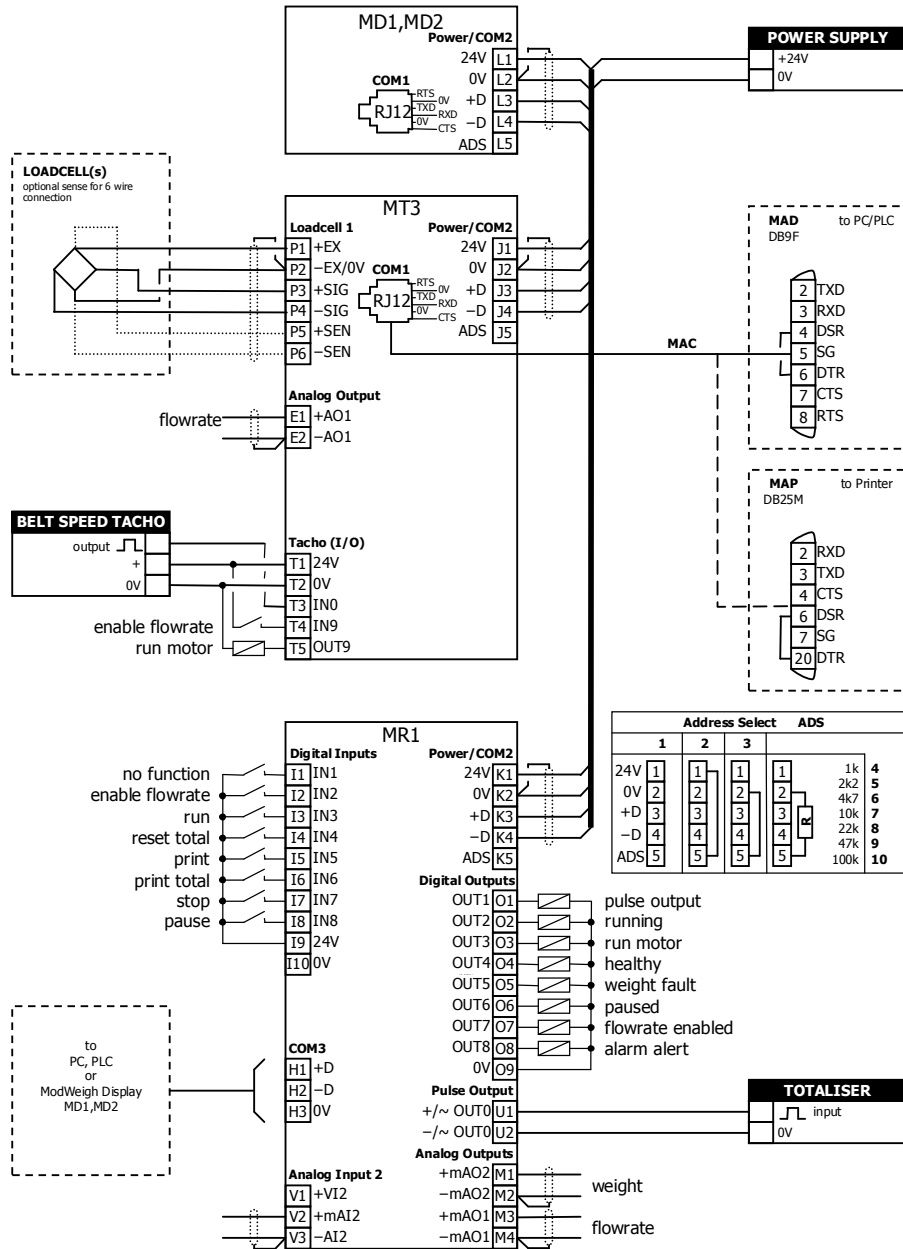
Use shielded cable where indicated.

Display and transmitter can alternatively be connected COM1 to COM1 using an MAC cable.

MT3 bus address set with ADS pin or a setting.


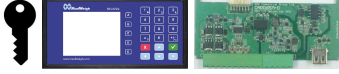





MR1 bus address set with ADS pin and must be same as MT3.

Fit an MAT terminator to each end of COM2 cable if length exceeds 50m.



# System Ordering



A ModWeigh system is a group of ModWeigh parts that together form the system. Many possible systems can be created, but most applications will use one of the systems listed below. When ordering, just specify the system order code. To create a custom system, specify the individual components required.

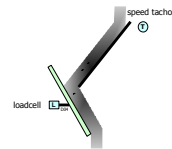
Impact Flowmeter Instrument	System Order Code
Product Key, Processor, IO 	<b>MK94A,MP2</b>
Product Key, Processor, IO 	<b>MK94A,MP2,MO3</b>
Product Key, Processor, IO 	<b>MK94A,MP1,MR1</b>
Transmitter, display, IO 	<b>MW94A,MT3,MD1,MR1</b>
Transmitter, display, IO 	<b>MW94A,MT3,MD2,MR1</b>
P-Module, transmitter, display, IO 	<b>MW94A,MT1,MD1,MR1</b>
P-Module, transmitter, display, IO 	<b>MW94A,MT1,MD2,MR1</b>

# Parts Ordering

Following is a list of order codes for the individual parts of a ModWeigh system.

The order code (and options) are shown below.

Product	select one of the following	
 	P-Module (for transmitter only)	<b>MW94A</b>
	Unactivated P-Module (requires a product key)	<b>MX94A</b>
	Product Key	<b>MK94A</b>



**Special Options**



select any (or none) of the following	
Chinese manuals	,CH
Korean manuals	,KO
German manuals	,DE
Spanish manuals	,ES
French manuals	,FR
Italian manuals	,IT
Polish manuals	,PL
No manuals	,NM
Manufacturing certificate	,MC

**Processor**



select one (or none) of the following	
Loadcell processor	,MP2
Loadcell processor	,MP1
Loadcell transmitter	,MT3
Loadcell transmitter	,MT1

**Transmitter**



**IO Option**



select one (or none) of the following (only for MP2)	
digital IO - 4In 4Out, 1 x 4-20mA input & output	,MO3

**Display**



select one (or none) of the following	
4.3" Colour display	,MD1
2.8" Colour display	,MD2

**Remote IO**



select one (or none) of the following	
Remote IO unit	,MR1

**Accessories**



select one (or none) of the following	
RJ12 Cable 2m (COM1 cable)	,MAC
RJ12 to 9 pin D-connector adaptor (ModWeigh to PC)	,MAD
RJ12 to 25 pin D-connector adaptor (ModWeigh to printer)	,MAP
DIN Rail mount kit for MT1,MT3 or MR1	,MAR
Stack mount kit for MT1,MT3 or MR1	,MAS
RS485 Line Terminator	,MAT

**Other ModWeigh Products**

**MW61** Weigher Systems – loadcells indicators. Suitable for scales, vessel weighing and most general weighing applications.

**MW93** Weight Change Systems – for loss-in-weight and gain-in-weight flow control systems.

**MW95** Belt Weigher Systems – belt weigher processor for continuous flowrate measurement.

**MW96** Weighfeeder Systems – weighfeeder processor for continuous flowrate control application of a weighing conveyor.

## Contact Details



NEW ZEALAND

EMC INDUSTRIAL GROUP LTD

56 Tarndale Grove, Albany, North Shore, Auckland 0632

PO Box 101 444, North Shore, Auckland 0745, New Zealand

Phone +64-9-415 5110, Fax +64-9-415 5115

Email [sales@emc.co.nz](mailto:sales@emc.co.nz) Web [www.emc.co.nz](http://www.emc.co.nz)



AUSTRALIA

ACTIVE WEIGHING SOLUTIONS

Unit 2 / 41-49 Norcal Road, Nunawading, VIC 3131, AUSTRALIA

PO Box 338, Box Hill, VIC 3128, AUSTRALIA

Phone +61-3 9873 7677, Fax +61-3 9873 7655

Email [sales@activeweighing.com.au](mailto:sales@activeweighing.com.au) Web [www.activeweighing.com.au](http://www.activeweighing.com.au)

As we are continuously improving our products, changes to this specification may occur without notice.

(Document Details: g0 g1 g2 g3 g4 g5 g6 g7 g8 g9 g10 g11 g12 g13 g14 g15 MT1,MT3,MD1,MD2,MP1,MP2))